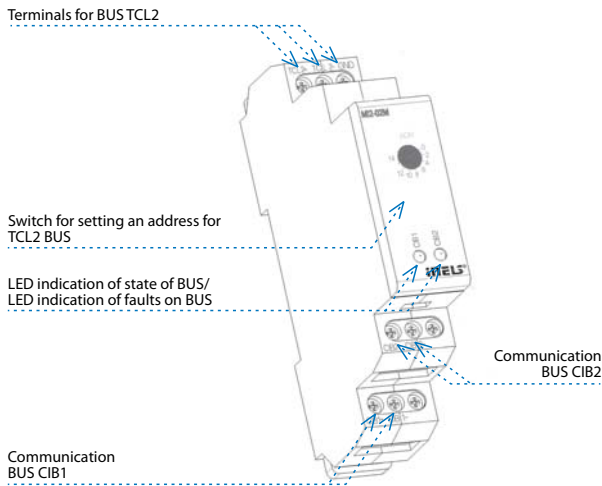


External master BUS MI2-02M

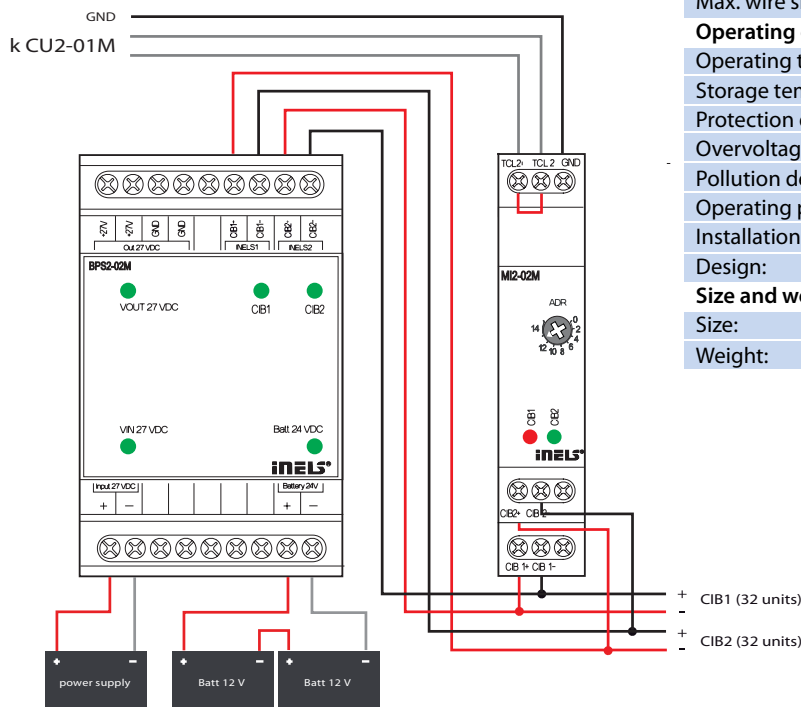


- It is possible to connect other 64 units to CU2-01M by an external module MI2-02M.
- MI2-02M ensures management and control of up to 64 units and data transfer to a central unit.
- It is possible to connect up to 2 modules MI2-02M to a central unit by a communication BUS TCL2.
- Only address is set on the module. It is done by a rotary switch. This address must be unique within bus TCL2.
- It is possible to directly connect up to two buses CIB to one MI2-02M. Each bus can carry up to 32 units of any type. Maximal length of a lead of one bus is 550 m with any topology.
- Bus TCL2 can have max. length 300 m (metallic cable – twisted pair), regulations for bus RS-485 are applicable (line bus).
- Module is energized directly from bus CIB.
- To supply bus CIB, it is necessary to use a separation element BPS2-01M.
- Signalization of state for each bus (operation, fault) is signalized by two-color LED diode on the front panel of the module.
- MI2-02M in design 1-MODULE is designated for mounting into a switchboard, on DIN rail EN60715.

Device description



Connection



Technical parameters:

Outputs

Number of connected units:	max. 64 (2x32)
----------------------------	----------------

Communication

Data BUS:	2 x CIB BUS
Extension BUS:	TCL2
Indication of unit state:	green LED
Indication of fault on BUS:	red LED
Length of BUS CIB wire:	2x550 m
Length of BUS TCL2 wire:	max 300m

Power supply

Supply voltage/rated current:	27 V DC/25 mA, from CIB BUS
-------------------------------	-----------------------------

Connections

Connection:	terminals
Max. wire size:	max. 2,5 mm ² /1,5 mm ² with a sleeve
Operating environment	-20 .. +55 °C
Operating temperature:	-20 .. +55 °C
Storage temperature:	-30 .. +70 °C
Protection degree:	IP20 device, IP40 in a switchboard/ covered
Oversvoltage category:	III.
Pollution degree:	2
Operating position:	any
Installation:	in a switchboard on DIN rail EN 60715
Design:	1-MODULE

Size and weight

Size:	90 x 18 x 65 mm
Weight:	75 g