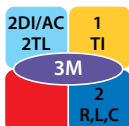
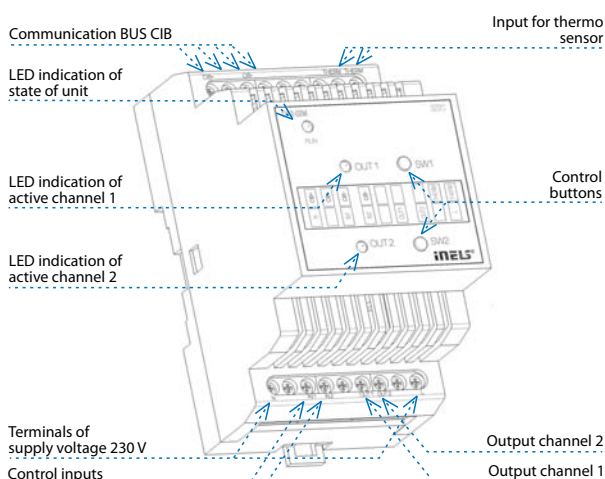


Dimming actuator 1 fold DA2-22M

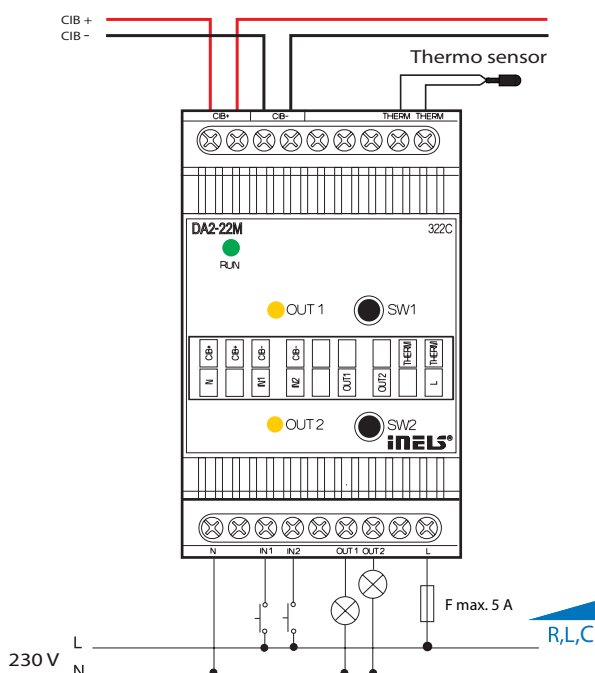


- Two channel dimming unit DA2-22M is designed for switching and dimming all RLC loads.
- DA2-22M includes 2 inputs 230V AC and 2 semi-conductor output 230V AC.
- Maximum load is 500 VA for each channel.
- Switching and dimming of outputs (output active) is indicated by permanent shining of LED on front panel of the unit and for each output.
- By using buttons on front panel, it is possible to manually set the activity of each channel.
- For potential phase on terminal of the unit , protection by fuse according to connected load is necessary.
- DA2-02M in 3 module design is designated for DIN rail EN60715 mounting into a switchboard.
- Unit supports auto-detection of connected load's type .

Device description



Connection



Technical parameters:

Inputs

Input:	2x switched by potential phase
Temperature measuring:	YES, input for external thermo sensor see accessories pg. 53
Number of control buttons:	2 on front panel

Outputs

Output:	2x semi-conductor output 230V AC
Output functions:	regulation of light intensity
Load type:	resistive (bulb), inductive and capacitive
Insulation voltage between outputs and in-built circuits:	SELV according to EN 60950
Minimal controlled load:	10 VA
Maximal controlled load:	500 VA for each channel
Indication of outputs:	2x yellow LED

Communication

Data BUS:	CIB BUS
-----------	---------

Power supply

Supply voltage/rated current:	27 V DC/30 mA, from CIB BUS
Indication of state of unit:	green LED

Connection

Connection:	terminals
Max. wire size:	max. 2,5 mm ² /1,5 mm ² with a sleeve

Operating environment

Operating temperature:	-20 .. +55 °C
Storage temperature:	-30 .. +70 °C
Protection degree:	IP 20 device, IP 40 in a switchboard/covered
Over-voltage protection:	III.
Pollution degree:	2
Operating position:	any
Installation:	in a switchboard on DIN rail EN 60715
Design:	3-MODULE

Size and weight

Size:	90 x 52 x 65 mm
Weight:	136 g

Types of connectable loads:

